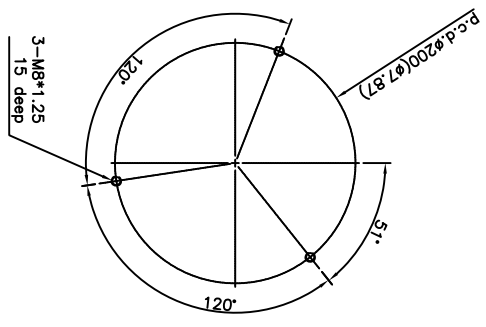
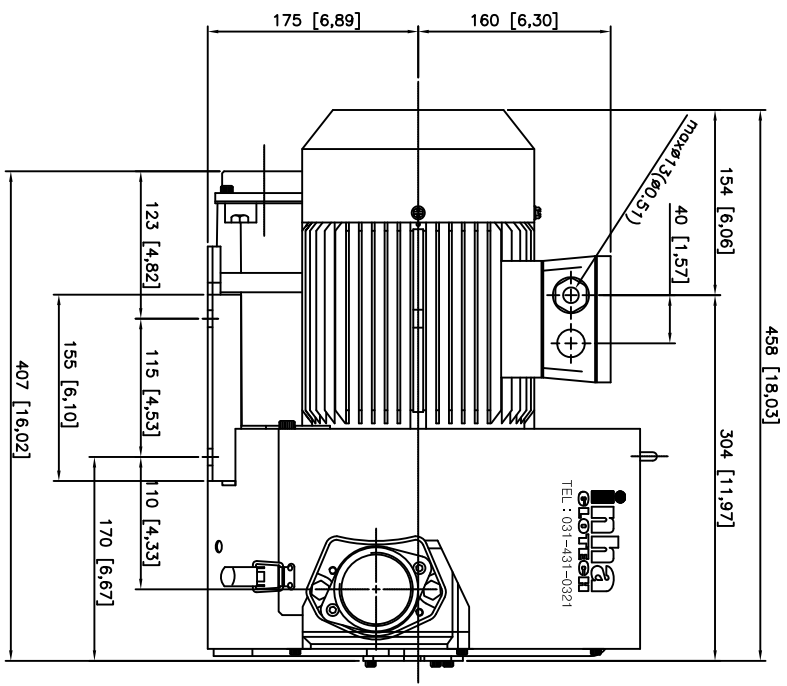
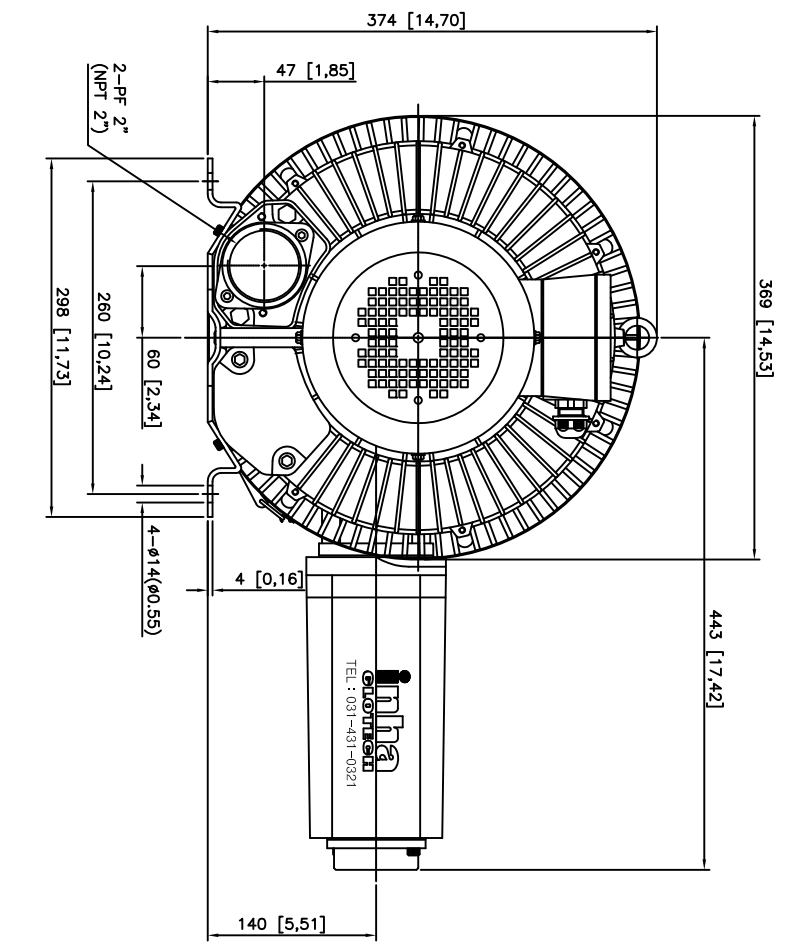


1	2	3	4	5	6	7	8	9	10
---	---	---	---	---	---	---	---	---	----



NOTE
1.

NO.	REVISION	DATA	DWG	CHECK	CUSTOMER	PROJECT TITLE	DRAWING TITLE	SCALE	DATE	DESIGNED	CHECKED	APPROVED	DWG. NO.
					인하글로벌텍	HG-4346		1/1	2017.03.00				HM-00000-000

mma 인하글로벌텍
(회사)TEL: 031-431-0321 / FAX: 031-8041-9740