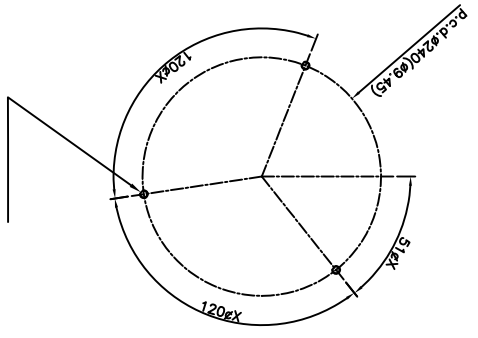
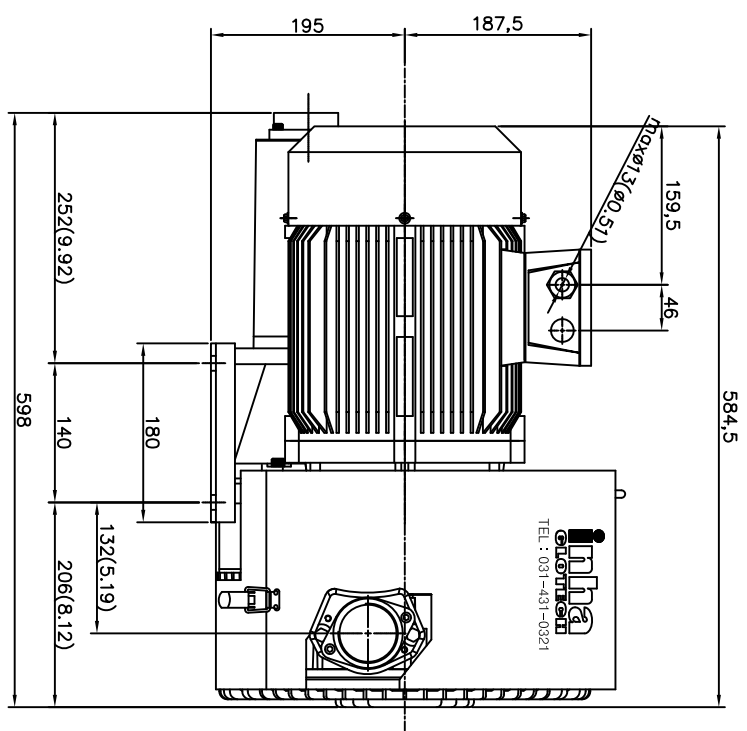
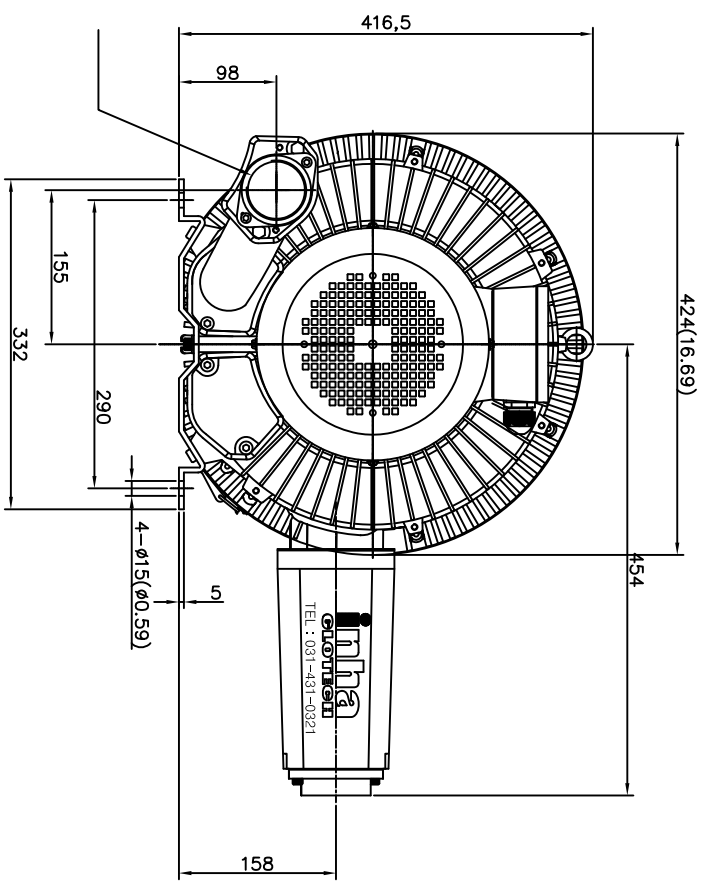



1	2	3	4	5	6	7	8	9	10
1	2	3	4	5	6	7	8	9	10



NO.	REVISION	DATA	DWG	CHECK	NOTE	CUSTOMER	PROJECT TITLE	DRAWING TITLE	SCALE	DATE	DESIGNED	CHECKED	APPROVED	DWG. NO.
					1.	인하클로텍	HG-6355	HG-6355	1/1	2017.03.00				HM-00000-000


인하클로텍
 (회사)TEL : 031-431-0321 / FAX : 031-8041-9740