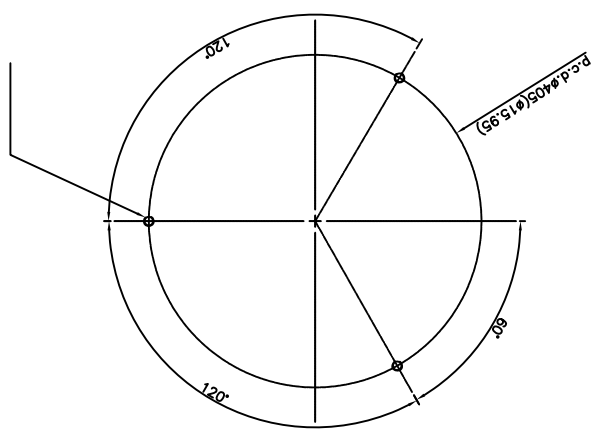
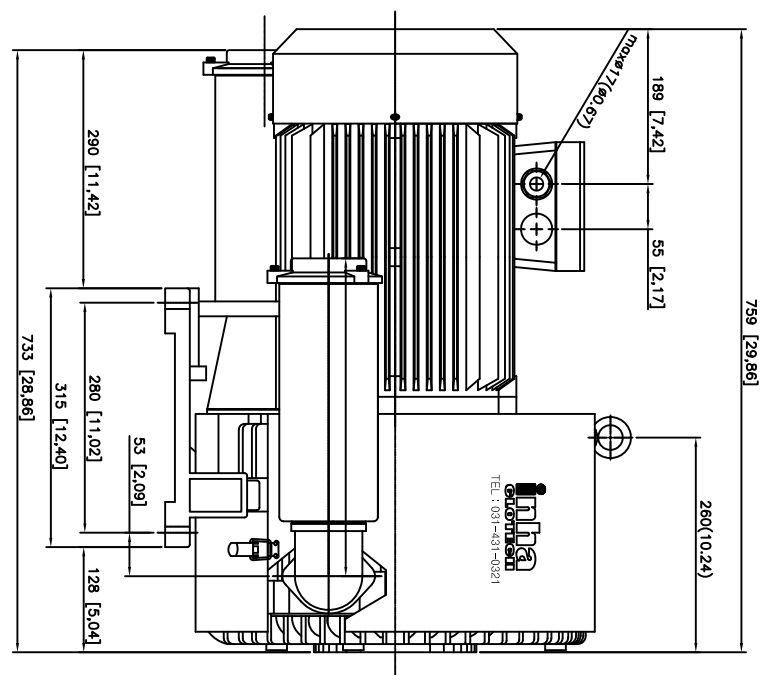
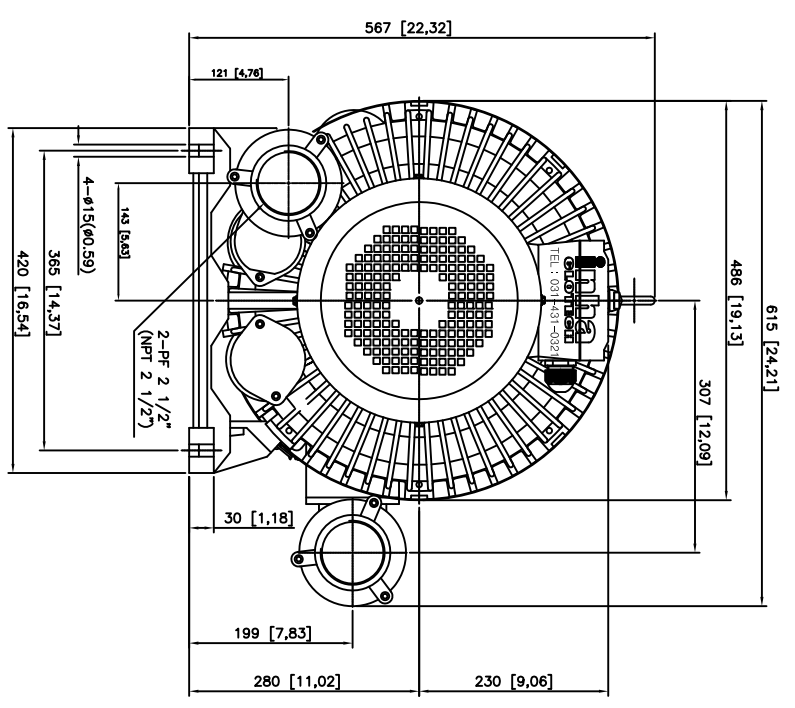



1	2	3	4	5	6	7	8	9	10
---	---	---	---	---	---	---	---	---	----



NOTE
1.

NO.	REVISION	DATA	DWG	CHECK	<table border="1"> <tr> <td>설계</td> <td>확인</td> <td>검토</td> <td>작성</td> <td>12월</td> <td>14월</td> </tr> <tr> <td>확인</td> <td>확인</td> <td>확인</td> <td>확인</td> <td>확인</td> <td>확인</td> </tr> </table>					설계	확인	검토	작성	12월	14월	확인	확인	확인	확인	확인	확인																			
설계	확인	검토	작성	12월	14월																																			
확인	확인	확인	확인	확인	확인																																			
<table border="1"> <tr> <td>CUSTOMER</td> <td colspan="5">인하글로벌텍</td> </tr> <tr> <td>PROJECT TITLE</td> <td colspan="5">HG-8311</td> </tr> <tr> <td>DRAWING TITLE</td> <td colspan="5">HG-8311</td> </tr> <tr> <td>SCALE</td> <td>1/1</td> <td>DATE</td> <td>2017.03.03</td> <td>DESIGNED</td> <td>CHECKED</td> </tr> <tr> <td></td> <td></td> <td></td> <td></td> <td>APPROVED</td> <td></td> </tr> <tr> <td></td> <td></td> <td></td> <td></td> <td>DWG. NO.</td> <td>HG-00000-000</td> </tr> </table>					CUSTOMER	인하글로벌텍					PROJECT TITLE	HG-8311					DRAWING TITLE	HG-8311					SCALE	1/1	DATE	2017.03.03	DESIGNED	CHECKED					APPROVED						DWG. NO.	HG-00000-000
CUSTOMER	인하글로벌텍																																							
PROJECT TITLE	HG-8311																																							
DRAWING TITLE	HG-8311																																							
SCALE	1/1	DATE	2017.03.03	DESIGNED	CHECKED																																			
				APPROVED																																				
				DWG. NO.	HG-00000-000																																			
 (회사)TEL: 031-431-0321 / FAX: 031-8041-9740																																								